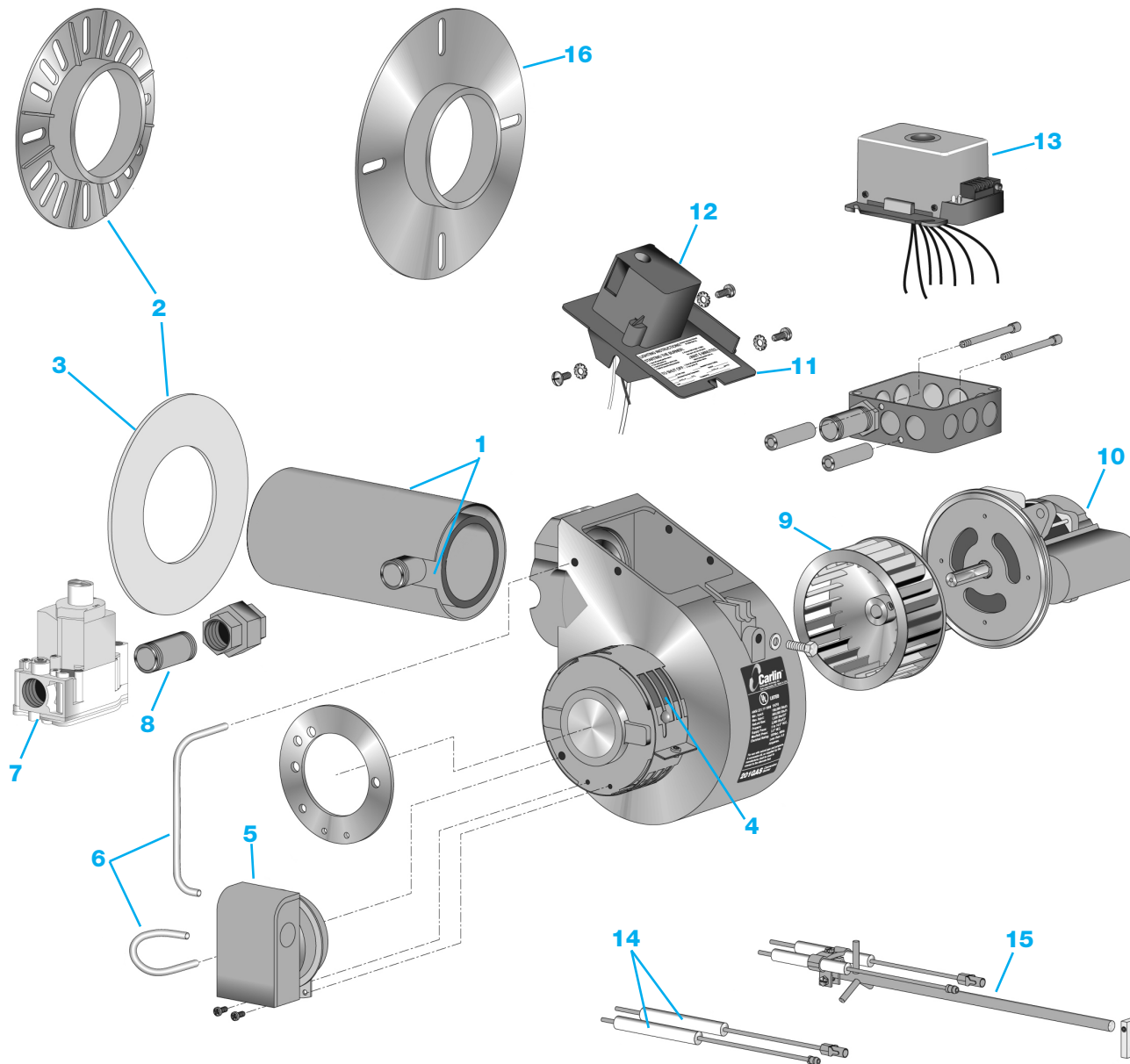


## 201 Gas Burners

Note: Parts may not be exactly as shown in diagram.



## 201Gas Burners

ITEM	PART NO.	DESCRIPTION
1	98514AAKITS	8" Air Tube w/ A Diffuser & Gas Can
	98514ABKITS	8" Air Tube w/ B Diffuser & Gas Can
	98514BAKITS	10" Air Tube w/ A Diffuser & Gas Can
	98514BBKITS	10" Air Tube w/ B Diffuser & Gas Can
	98514CAKITS	12" Air Tube w/ A Diffuser & Gas Can
	98514CBKITS	12" Air Tube w/ B Diffuser & Gas Can
	98514DAKITS	14" Air Tube w/ A Diffuser & Gas Can
	98514DBKITS	14" Air Tube w/ B Diffuser & Gas Can
	98514EAKITS	16" Air Tube w/ A Diffuser & Gas Can
	98514EBKITS	16" Air Tube w/ B Diffuser & Gas Can
2	59642BLUS	Flange/Gasket kit for 201GAS
3	40287S	Gasket for Flange only
4	98542S	Air Band 2 Slot for 201Gas and 202Gas
	47001S	Air Band 4 Slot for 201Gas, 202Gas
5	98521KITS	Airflow switch and mounting plate assembly for 201Gas
6	98557S	Blower sensing line kit inlet and outlet
7	98523S	Gas valve VR4305M-4540 for EZGAS and 201Gas
8	9938440XX	Field drilled orifice for EZGASPRO, EZGAS & 201GAS
9	28563S	Blower wheel (used on 201/301 Oil and Gas), 5-3/4" OD x 4" W, 1/2" BORE

ITEM	PART NO.	DESCRIPTION
10	98611S	Motor 1/6HP 120V 60Hz, 48N Frame
	98630S	Motor 1/4HP 120V 60Hz, 48N Frame (used on oil 201/301)
11	98534S	Hinged cover plate for Ignitor
12	4180002S2	Ignitor for 201GAS
13	60200FRS	Primary Control Microprocessor Flame Rod
14	98433AS	Ignitor electrode/flame rod 8"
	98433BS	Ignitor electrode/flame rod 10"
	98433CS	Ignitor electrode/flame rod 12"
	98433DS	Ignitor electrode/flame rod 14"
	98433ES	Ignitor electrode/flame rod 16"
15	98540AS	Ignitor electrode/flame rod assembly 8"
	98540BS	Ignitor electrode/flame rod assembly 10"
	98540CS	Ignitor electrode/flame rod assembly 12"
	98540DS	Ignitor electrode/flame rod assembly 14"
	98540ES	Ignitor electrode/flame rod assembly 16"
16	59444BLUS	Optional forced draft flange
17	20GFRWIRES	201GAS Flame Rod Wire (not shown)